

# ECOHOG®

## AirHog EH-81 Air Suction Separator

The AirHog EH-81 is a suction system designed for the removal of low value light weight fractions such as paper, plastics and foil from applications including compost, wood and other waste streams. The AirHog incorporates a frequency controlled heavy duty fan, air hose and extraction hood. The extraction hood is positioned over a moving waste stream (conveyor belt), the light weight material is blown through the extraction hood into a detachable sock or bin and the remaining higher density material continues to pass on the conveyor to the required resting place. The

AirHog is a standalone unit designed with forklift lifting points and lifting eyes for craning to ensure ease of movement. The unit can be designed to fit any conveyance system.



### KEY FEATURES

- Removes unwanted contaminants improving quality downstream
- Reduces the need for manual sorting
- Adjustable electronic fan speed controls
- Adjustable fittings suitable for various locations in the existing processing facility / setup
- Designed for movement via forklift
- High throughput
- Quick and easy setup

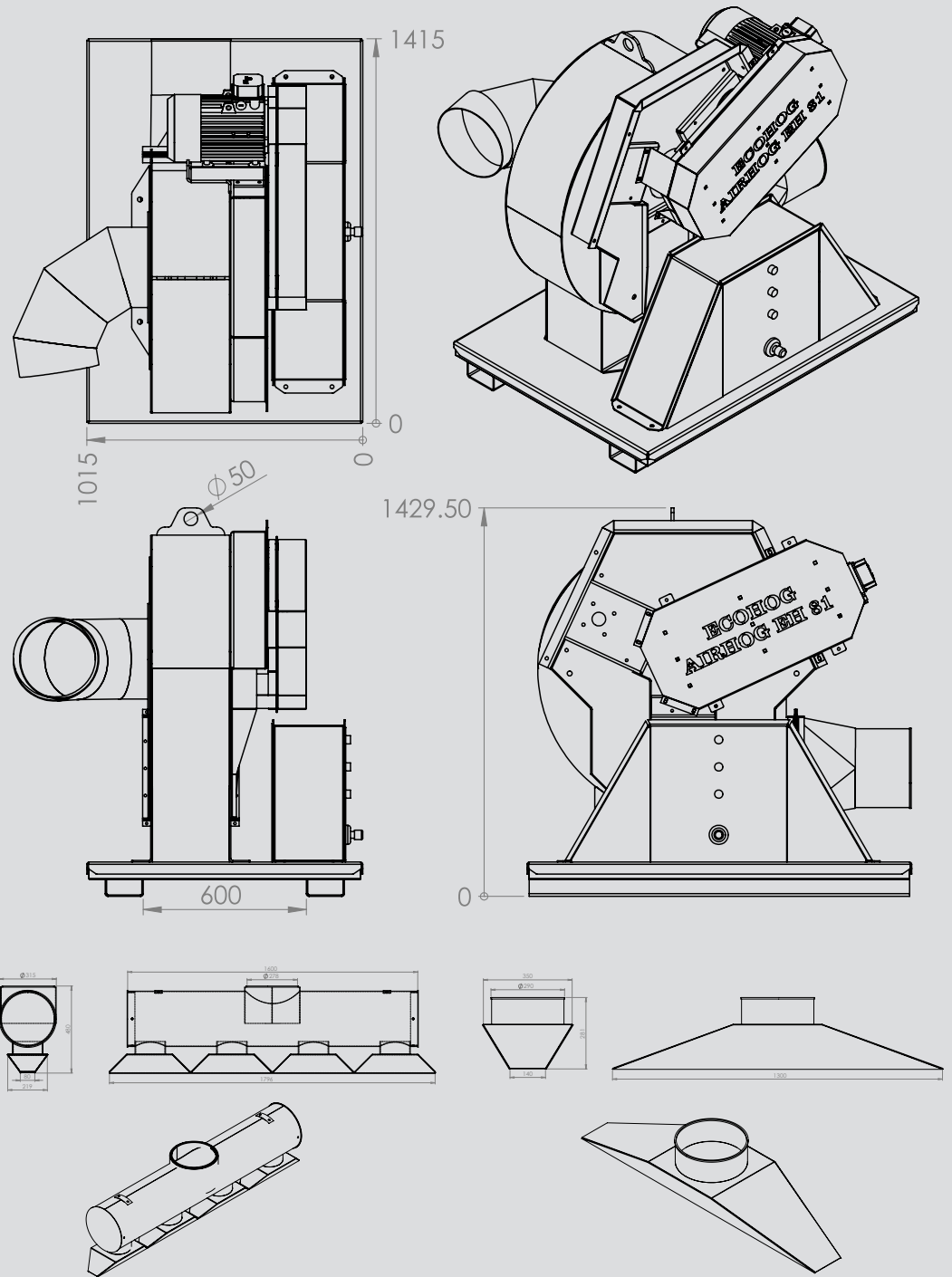
### SUITABLE FOR

- Compost
- Waste Wood
- Trommel Fines
- Glass Clean Up
- Incinerator Ash
- Gully waste



Quarry Road | Carrickmore  
Omagh | Co. Tyrone | N.I.  
T (UK) +44 (0)28 8076 1295  
T (USA) 347 630 9822  
info@ecohogwindshifters.com  
ecohogwindshifters.com

# TECHNICAL DATA



## SPECIFICATION

### AirHog EH-81

Weight 800kg (approx.)  
Version: Electric

Length (1400mm)  
Width (1000mm)  
Height (1430mm)

Fan speed (2800rpm)

### Power Supply

11kW IP55 geared motors VSD

### Electrical Lockout

Key switch, engine protection system

### Hood Options

Suitable for 2m belt

Length (1796mm)  
Width (315mm)  
Height (480mm)

Suitable for 1.5m belt

Length (1300mm)  
Width (350mm)  
Height (280mm)

Hoods can be adapted and designed to suit any conveyor

### Discharge Containment

5m ducting or Filter Sock

### UL Certifications

All products supplied by Ecohog will be built to the highest specification and control panels will be UL Approved for the USA and Canadian markets.

